

**METAL//SHELVES
EQUIPMENT//QUALITY
EXPERIENCE//STORAGE
OFFICE FURNITURE**



**METALLICA
HERAKLIS MICHAELIDES LTD**

NORMAL TYPE SHELF

Our big sellers and most frequent choice of the majority of our customers as this type of shelves can be used both for stock display and stock storage of significantly big amounts of different sizes of items. Tall enough with space on the top and in between the different layers, are ideal for factories, shops, offices or even for house use. Easy to assemble as is bolt type and easy to add or remove part to satisfy specific needs.



COLOUR // GREY RAL7001

WEIGHT // 100kg-300kg PER SHELF

SHELVES CAN BE FITTED WITH MEGA SHAPED STRENGTHENING REINFORCE TO ALLOW HIGHER LOADING CAPACITY

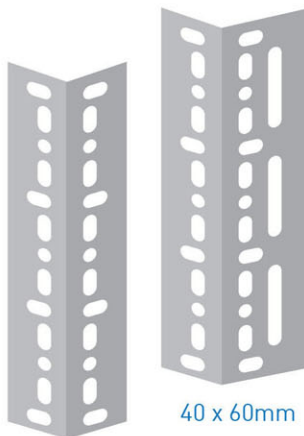
SELF DIMENSIONS

930 x 305mm

930 x 405mm

930 x 580mm

SLOTTED ANGLES



40 x 40mm

40 x 60mm

SLOTTED ANGLES

CODE	L1	L2	THICKNESS	HEIGHT
RST180	40mm	40mm	2mm	1800mm
RST210	40mm	40mm	2mm	2100mm
RST240	40mm	40mm	2mm	2400mm
RST270	40mm	40mm	2mm	2700mm
RST300	40mm	40mm	2mm	3000mm
RSTP180	40mm	60mm	2mm	1800mm
RSTP210	40mm	60mm	2mm	2100mm
RSTP240	40mm	60mm	2mm	2400mm
RSTP270	40mm	60mm	2mm	2700mm
RSTP300	40mm	60mm	2mm	3000mm



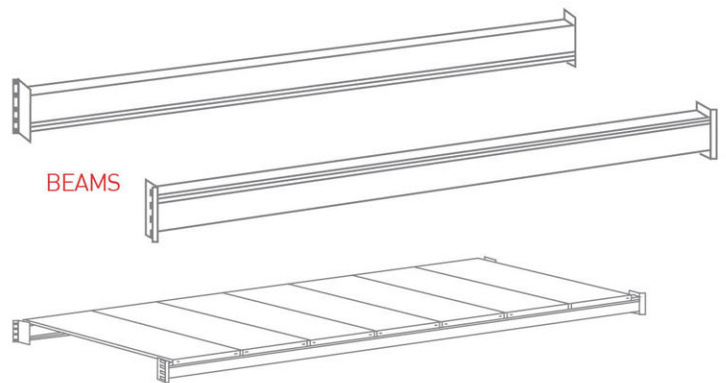
SHELVES

CODE	D	L	THICKNESS	LOADING CAPACITY
RPA3093	300mm	930mm	1.00mm	50-100kg
RPA4093	400mm	930mm	1.00mm	50-100kg
RPA5893	580mm	930mm	1.00mm	150-200kg
RPAN4093	400mm	930mm	1.00mm	200-250kg
RPAN5893	580mm	930mm	1.00mm	250-300kg

HEAVY TYPE SHELF

Understanding the various needs of our clientele and associates has always been our main focus. Based on this focus we created the Heavy Type Shelves since many of our clients requested storage or display space for heavy and large items. Heavy Type Shelves can hold significantly heavy items due to the heavy-duty metal material which is used for making the shelves.

COLOUR // GREY RAL7001
MATERIAL // GALVANIZED STEEL
COSTUMIZED TO THE NEEDS OF EACH PROJECT
FOR PALLETS, METAL CONTAINERS OR BOXES



GALVANIZED SHELVES
ON BEAM FOR PACKAGES



ANGLE POST

CODE	A	B	THICKNESS	HEIGHT
RLDA200	80mm	65mm	2mm	2000mm
RLDA225	80mm	65mm	2mm	2250mm
RLDA250	80mm	65mm	2mm	2500mm
RLDA275	80mm	65mm	2mm	2750mm
RLDA300	80mm	65mm	2mm	3000mm
RLDA350	80mm	65mm	2mm	3500mm
RLDA400	80mm	65mm	2mm	4000mm
RHDA200	95mm	65mm	2.50mm	2000mm
RHDA225	95mm	65mm	2.50mm	2250mm
RHDA250	95mm	65mm	2.50mm	2500mm
RHDA275	95mm	65mm	2.50mm	2750mm
RHDA300	95mm	65mm	2.50mm	3000mm
RHDA350	95mm	65mm	2.50mm	3500mm
RHDA400	95mm	65mm	2.50mm	4000mm

BEAMS

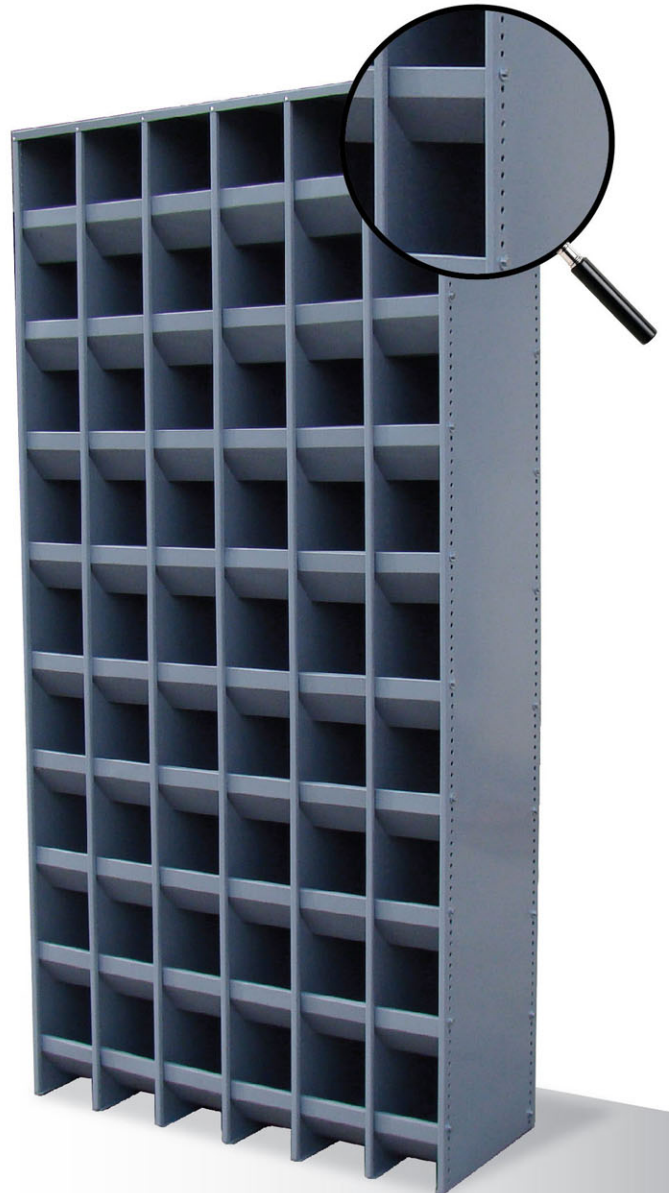
CODE	D	H	THICKNESS	LENGHT	LOADING CAPACITY
RHDB120	80mm	40mm	2mm	1200mm	1000-2000kg
RHDB150	80mm	40mm	2mm	1500mm	1000-2000kg
RHDB180	80mm	40mm	2mm	1800mm	1000-2000kg
RHDB210	80mm	40mm	2mm	2100mm	1000-2000kg
RHDB240	80mm	40mm	2mm	2400mm	1000-2000kg
RHDB270	80mm	40mm	2mm	2700mm	1000-2000kg

GALVANIZED SHELVES ON BEAM FOR PACKAGES

CODE	D	H	THICKNESS
RHGS3060	300mm	600mm	1mm
RHGS3090	300mm	900mm	1mm
RHGS30120	300mm	1200mm	1mm

SHELVES FOR BIG & SMALL COMPARTMENTS

Especially made to give the ability of keeping tidy and separated many different types of compartments. The separation of shelves can satisfy a variety of items from small screw to bigger plumbing equipment due to the different types of separations we can offer, even for particular projects we can customize to the admonitions of the customer. This separation of shelves is suitable for arranging big compartments into different sizes, colors, materials and in general in any way the user wishes.



OUTSIDE DIMENSIONS //

100x35x200CM

STANDARD SEPARATIONS

TO THIS DIMENSIONS //

3x7 TOTAL 21 BOXES

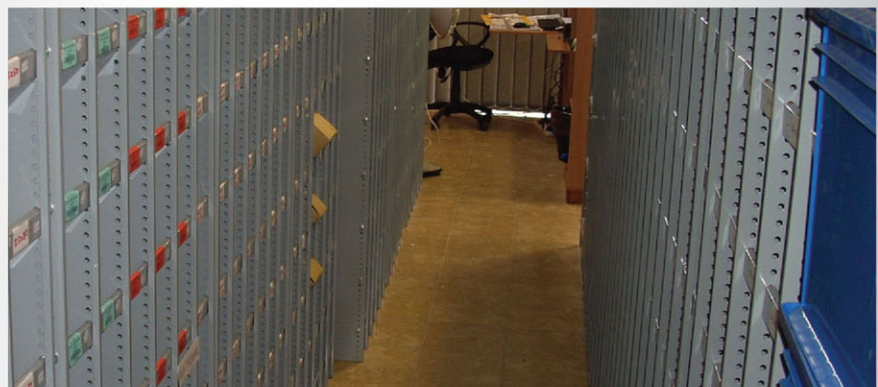
4x7 TOTAL 28 BOXES

5x7 TOTAL 35 BOXES

5x8 TOTAL 40 BOXES

5x9 TOTAL 45 BOXES

6x9 TOTAL 54 BOXES



COMPANY

METALLICA HERAKLIS MICHAELIDES LTD

The company "Metallica Heraklis Michaelides Ltd" was founded in 1980 by Heraklis Michaelides, after the precedence of his personal employment in Metal Constructions since 1960. Its main activities are the manufacturing of metal office furniture and storage equipment, metal shelves, lockers and construction equipment. The company has a long-lasting experience in Metal Constructions, and has through the years developed and evolved into one of the biggest and most successful organizations specialized in this area in Cyprus and moreover into general trade company.

The workforce of the company consists of more than 40 highly skilled, trained and specialized individuals ready to respond to your highest expectations and provide the solutions you or your company requires. The company's total quality policy is to always provide customers with best quality products through its continued improvement, which is based on sincere customer feedback, teamwork within the company and conjunction with its suppliers and customers.

Metallica Heraklis Michaelides Ltd not only produces a variety of metal products but is also the exclusive agent and reseller of several products of reputable foreign companies. In addition the company serves and collaborates with hundreds of companies around Cyprus as well as with Governmental and Semi-governmental Organization. We invite you to come and see our products and enjoy the professional and hospitable services of our company.

PRODUCTS AND SERVICES

Metal furniture and Shelves // Cupboards, lockers for Gym, Schools or Factories, File Cabinets, Desk, Office chairs, Removable and Fixed Shelves

Wrought Iron Fences // The company offers hundreds of artistically created elements of wrought massif iron for: Fencing, Staircases Balconies Safety Grills, Interior and Exterior Decorations

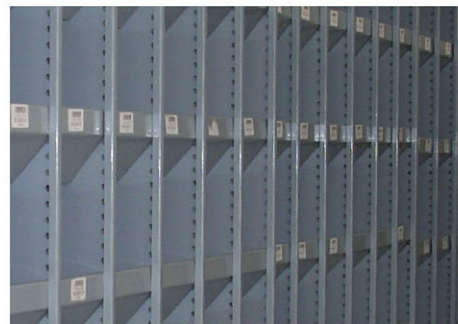
Metal-Sheet Import // All types of metal sheet are offered in various dimensions and thicknesses (Black Galvanized Aluminium, Prepainted Stainless Steel)

Services // We have available specialized crews for immediate and fast Service to industries and manufactures that are involved in Metal Constructions

All our products can be customized upon your needs and requirements

EXHIBITIONS

Every year the company proudly participates in big exhibitions all over the world achieving international partnership.



MORE PRODUCTS



QUALITY & PUNCTUALITY

Our factory premises have some of the latest technological machinery operated by our highly skillful and trained team of professionals which ensures the delivery of qualitative and punctual services.



**METALLICA
HERAKLIS MICHAELIDES LTD**

21, METEORON, 2032, STROVOLOS, P.O. BOX 28214,
2092 NICOSIA CYPRUS

TEL. +357 22480341, FAX. +357 22480342
E-MAIL. hermetal@cytanet.com.cy